


MILO FLOOR

RODOLFO DORDONI • 1992

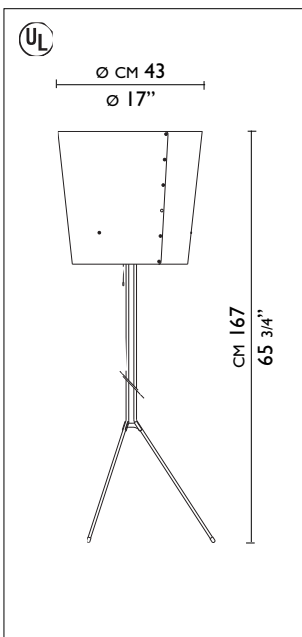
FLOOR STANDING LUMINAIRE FOR
INDIRECT AND DIFFUSED
INCANDESCENT LIGHTING.

- BODY FRAME IN CHROMED STEEL
WITH MOLDED BLACK
THERMOPLASTIC DETAILS
- DIFFUSER IN WHITE, OPALINE PVC
- ON/OFF PULL CORD SWITCH

INCANDESCENT SOURCE

- 1X150W(E26/A21W) 

FOR MILO TABLE AND SUSPENSION
VERSIONS REFER TO PAGES 42 AND 153




MILO TABLE

RODOLFO DORDONI • 1992

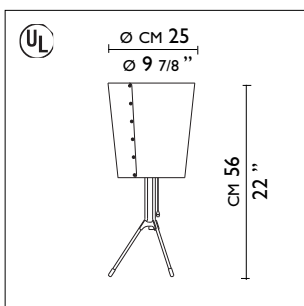
TABLE STANDING LUMINAIRE FOR INDIRECT AND DIFFUSED INCANDESCENT LIGHTING.

- BODY FRAME IN CHROMED STEEL WITH MOLDED BLACK THERMOPLASTIC DETAILS
- DIFFUSER IN WHITE, OPALINE PVC
- ON/OFF PULL CORD SWITCH

INCANDESCENT SOURCE

- 1X100W(E26/A19W) 

SEE WITH PHOTO AND DIMENSIONS
KEEPING DIFFERENT PARTS AND TOL





MILO SUSPENSION 26 • 43

RODOLFO DORDONI • 1992

CEILING SUSPENDED LUMINAIRES FOR DIRECT/INDIRECT AND DIFFUSED INCANDESCENT LIGHTING.

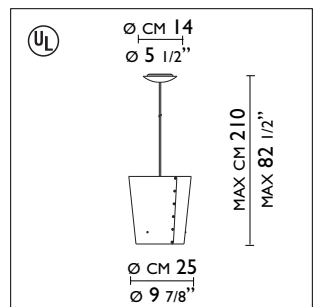
- CONCEALED BODY FRAME IN CHROMED STEEL
- DIFFUSERS IN WHITE, OPALINE PVC
- CEILING CANOPY IN MOLDED THERMOPLASTIC WITH METALLIC LIGHT GREY LACQUER FINISH

INCANDESCENT SOURCE

- MILO 26 - 1 X 100W(E26/A19W)
- MILO 43 - 1 X 200W(E26/A21W)

FOR MILO TABLE AND FLOOR VERSIONS REFER TO PAGES 42 AND 64

MILO SUSPENSION 26



MILO SUSPENSION 43

