

FLOAT "L" CEILING SUSPENSION

JAMES IRVINE • 2000

CEILING MOUNTED OR CABLE SUSPENDED LUMINAIRES FOR DIRECT/INDIRECT SOFTLY DIFFUSED ENERGY SAVING FLUORESCENT LIGHTING, AVAILABLE IN A LINEAR SHAPE (FLOAT "L") WITH OPTIONAL BLUE OR TOPAZ COLORED FILTERS APPLICABLE TO THE UPPER, INDIRECT EMISSION DIFFUSER.

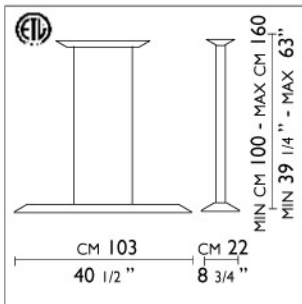
- "L" BODY IN EXTRUDED AND DIE-CAST ALUMINUM WITH WHITE LACQUER FINISH
- UPPER, INDIRECT LIGHT EMISSION DIFFUSER IN CLEAR POLYCARBONATE WITH OPTIONAL BLUE OR TOPAZ COLORED FILTERS
- LOWER, DIRECT LIGHT EMISSION DIFFUSER IN OPALINE POLYCARBONATE
- CEILING CANOPY IN WHITE MOLDED THERMOPLASTIC AND STEEL INCORPORATING 120V (277 OPTIONAL) FLUORESCENT BALLAST AND HOLDING FOUR BODY SUPPORTING TEFLON COATED CABLES

ENERGY SAVING
FLUORESCENT SOURCE

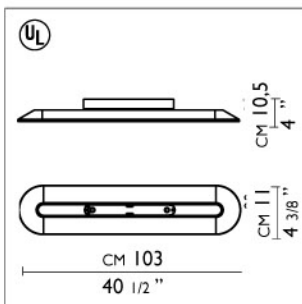
- FLOAT "L"
1X39W HO (G5/T5) 



FLOAT "L" SUSPENSION



FLOAT "L" SUSPENSION



FLOAT "L" CEILING