





**TILOS 150-200
TRIKALIAS
PENTAKALIAS**

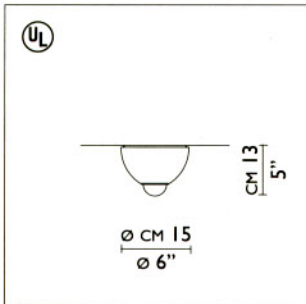
ERNESTO GISMONDI • 1993

WALL OR CEILING MOUNTED
LUMINAIRES FOR DIRECT AND
DIFFUSED INCANDESCENT LIGHTING,
PARTICULARLY SUITED FOR BATH-
ROOM MIRRORS

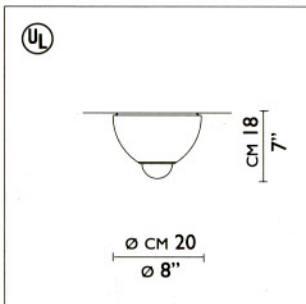
- DIFFUSER IN MOLDED COLORED GLASS, WHITE, DARK BLUE, AQUA BLUE AND PEACH
- TOP FASTENING TRIM IN CHROMED STEEL
- WALL MOUNTING TO 4" OCTAGONAL JUNCTION BOX CENTERED ON LUMINAIRE

INCANDESCENT SOURCE

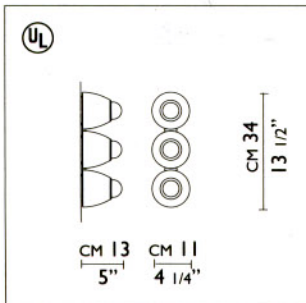
- TILOS 150 - 1X40W (E12/G16W) 
- TILOS 200 - 1X100W (E26/A19W) 
- TRIKALIAS - 3X40W (E12/G16W) 
- PENTAKALIAS - 5X40W (E12/G16W) 



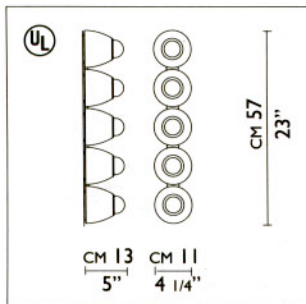
TILOS 150



TILOS 200



TRIKALIAS



PENTAKALIAS

