

PANTAREI 190

ERNESTO GISMONDI • 1994


WALL/CEILING MOUNTED LUMINAIRES FOR DIFFUSED INCANDESCENT, FLUORESCENT AND HALOGEN LIGHTING, SUITABLE FOR OUTDOOR WET LOCATIONS, AS WELL AS INDOOR LOCATIONS.

- BODY CONSTRUCTION IN SOLID DIE-CAST ALUMINUM WITH FRONT CONCEALED HINGED DIFFUSER OPENING FOR QUICK AND EASY RE-LAMPING ACCESS
- BODY TYPES
 - SURFACE MOUNTED
 - FULL LIGHT OR HALF LIGHT
- BODY FINISHES
 - SPECIAL, CORROSION RESISTANT, ELECTROSTATIC POLYESTER POWDER COATING IN BLACK OR WHITE
 - NATURAL POLISHED ALUMINUM WITH CLEAR POLYURETHANE PROTECTIVE COATING WITH NO WARRANTY FOR OUTDOOR APPLICATIONS, AS POSSIBLE NATURAL MUTATIONS OF ALUMINUM MAY OCCUR OVER TIME, DEPENDENT ON LOCAL ATMOSPHERIC CONDITIONS AND MAINTENANCE FACTORS
- DIFFUSERS
 - STURDY, MOLDED, SANDED GLASS WITH INTERNAL RAISED, HONEYCOMBED PATTERN AVAILABLE FOR ALL MODELS AND SUITABLE FOR ALL LIGHT SOURCES.
 - INJECTION MOLDED, IMPACT RESISTANT, OPALINE POLYCARBONATE WITH INTERNAL HONEYCOMB RAISED PATTERN. AVAILABLE FOR FLUORESCENT LIGHT SOURCES ONLY
- WALL/CEILING MOUNTING
 - SURFACE MOUNTING CENTERED TO STANDARD 4" OCTAGONAL JUNCTION BOX


INCANDESCENT SOURCE

- 1X40W (E12/B10W) 

COMPACT FLUORESCENT SOURCE

- 1X9W (T4/G23-2) 

LOW VOLTAGE HALOGEN SOURCE

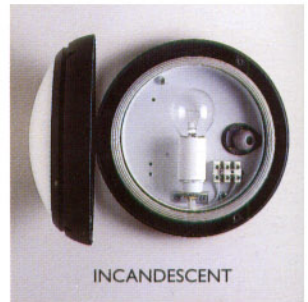
- 1X50W/12V (GY6.35) 



PANTAREI 190 FULL LIGHT POLY DIFFUSER



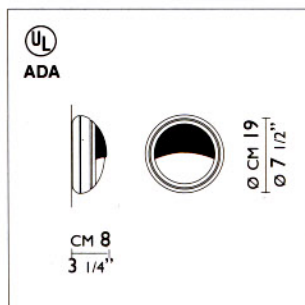
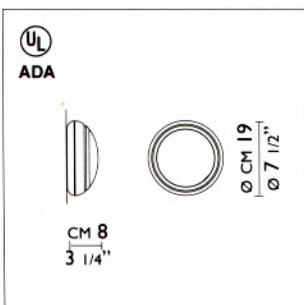
PANTAREI 190 HALF LIGHT POLY DIFFUSER



INCANDESCENT



FLUORESCENT



PANTAREI 300

ERNESTO GISMONDI • 1994




WALL/CEILING SURFACE MOUNTED LUMINAIRE FOR DIFFUSED INCANDESCENT, FLUORESCENT AND HALOGEN LIGHTING, SUITABLE FOR OUTDOOR WET LOCATIONS, AS WELL AS INDOOR LOCATIONS.

- BODY CONSTRUCTION IN SOLID DIE-CAST ALUMINUM WITH FRONT CONCEALED HINGED DIFFUSER OPENING FOR QUICK AND EASY RE-LAMPING ACCESS
- BODY TYPES
 - FULL LIGHT
 - HALF LIGHT
 - SPLIT LIGHT
 - SHATTER GUARD
- BODY FINISHES
 - SPECIAL, CORROSION RESISTANT, ELECTROSTATIC POLYESTER POWDER COATING IN BLACK OR WHITE
 - NATURAL POLISHED ALUMINUM WITH CLEAR POLYURETHANE PROTECTIVE COATING WITH NO WARRANTY FOR OUTDOOR APPLICATIONS, AS POSSIBLE NATURAL MUTATIONS OF ALUMINUM MAY OCCUR OVER TIME, DEPENDENT ON LOCAL ATMOSPHERIC CONDITIONS AND MAINTENANCE FACTORS
- DIFFUSERS
 - STURDY, MOLDED, SANDED GLASS WITH INTERNAL RAISED, HONEYCOMBED PATTERN AVAILABLE FOR ALL MODELS AND SUITABLE FOR ALL LIGHT SOURCES.
 - INJECTION MOLDED, IMPACT RESISTANT, OPALINE POLYCARBONATE WITH INTERNAL HONEYCOMB RAISED PATTERN. AVAILABLE FOR FLUORESCENT LIGHT SOURCES ONLY
- WALL/CEILING MOUNTING
 - SURFACE MOUNTING CENTERED TO STANDARD 4" OCTAGONAL JUNCTION BOX


INCANDESCENT SOURCE

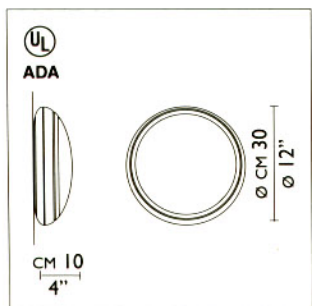
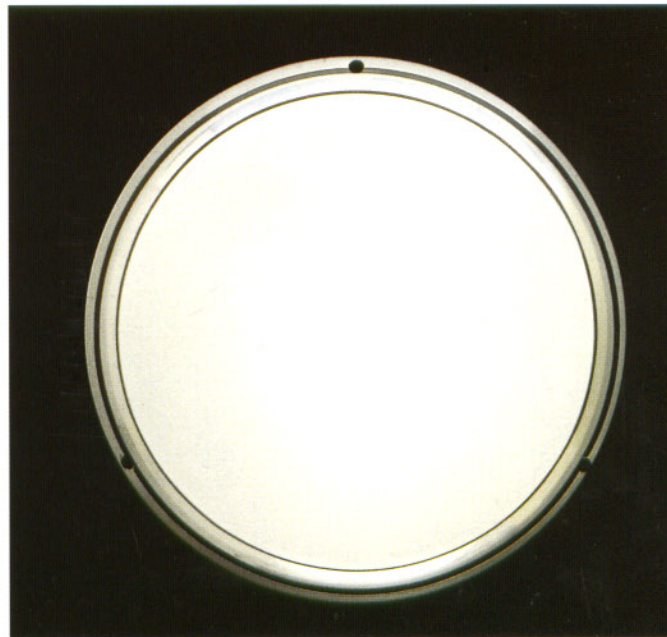
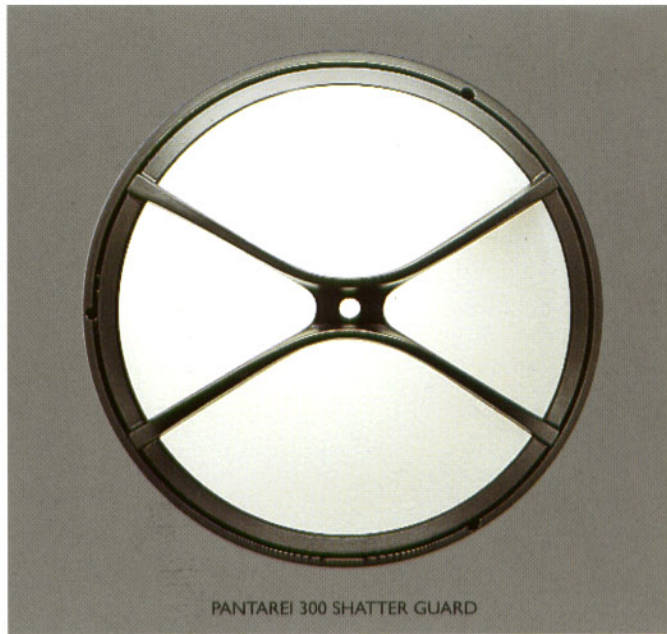
- 1X100W (E26/A19W) 

COMPACT FLUORESCENT SOURCE

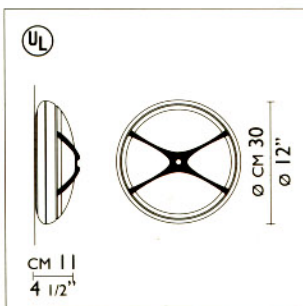
- 1X18W (T4/GX24D-2) OR 
- 1X26W (T4/GX24D-3) OR 
- 2X13W (T4/GX23-2) 

HALOGEN SOURCE

- 1X100W (T3/R7s) 



PANTAREI 300 FULL LIGHT



PANTAREI 300 SHATTER GUARD


PANTAREI 390

ERNESTO GISMONDI • 1994



WALL/CEILING SURFACE MOUNTED LUMINAIRE FOR DIFFUSED INCANDESCENT, FLUORESCENT AND HALOGEN LIGHTING, SUITABLE FOR OUTDOOR WET LOCATIONS, AS WELL AS INDOOR LOCATIONS.

- BODY CONSTRUCTION IN SOLID DIE-CAST ALUMINUM WITH FRONT CONCEALED HINGED DIFFUSER OPENING FOR QUICK AND EASY RE-LAMPING ACCESS
- BODY TYPES
 - SURFACE MOUNTED ONLY
 - FULL LIGHT ONLY
- BODY FINISHES
 - SPECIAL, CORROSION RESISTANT, ELECTROSTATIC POLYESTER POWDER COATING IN BLACK OR WHITE
 - NATURAL POLISHED ALUMINUM WITH CLEAR POLYURETHANE PROTECTIVE COATING WITH NO WARRANTY FOR OUTDOOR APPLICATIONS, AS POSSIBLE NATURAL MUTATIONS OF ALUMINUM MAY OCCUR OVER TIME, DEPENDENT ON LOCAL ATMOSPHERIC CONDITIONS AND MAINTENANCE FACTORS
- DIFFUSERS
 - STURDY, MOLDED, SANDED GLASS WITH EXTERNAL RAISED, HONEYCOMBED PATTERN. AVAILABLE FOR ALL MODELS AND SUITABLE FOR ALL LIGHT SOURCES
 - INJECTION MOLDED, IMPACT RESISTANT, OPALINE POLYCARBONATE WITH INTERNAL HONEYCOMB RAISED PATTERN. AVAILABLE FOR FLUORESCENT LIGHT SOURCES ONLY
- WALL/CEILING MOUNTING
 - SURFACE MOUNTING CENTERED TO STANDARD 4" OCTAGONAL JUNCTION BOX


INCANDESCENT SOURCE

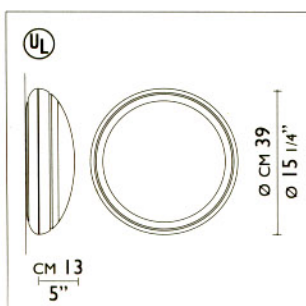
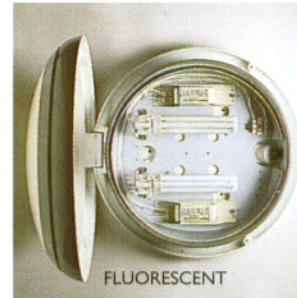
- 1X150W (E26/A21W) 

COMPACT FLUORESCENT SOURCE

- 1X36W (T5/2G10) OR  OR
- 2X26W (T4/GX24D-3) 

HALOGEN SOURCE

- 1X200W (T3/R7s) 



PANTAREI 390 FULL LIGHT