


## GIASOLE O/D

ERNESTO GIMONDI • 1989

WALL MOUNTED LUMINAIRE  
FOR DIFFUSED INCANDESCENT OR  
FLUORESCENT LIGHTING, SUITABLE  
FOR OUTDOOR WET LOCATIONS.

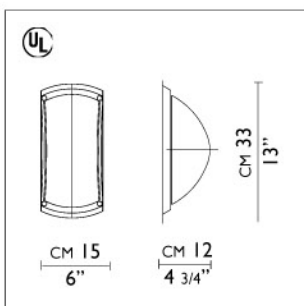
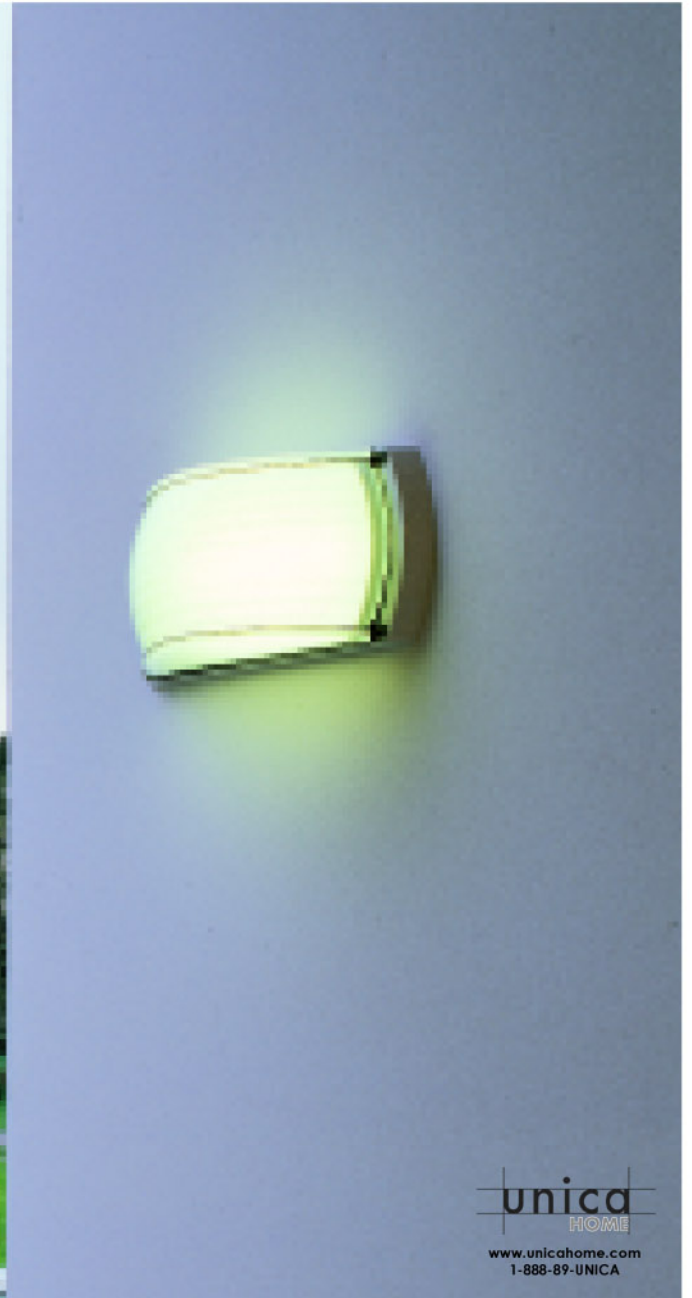
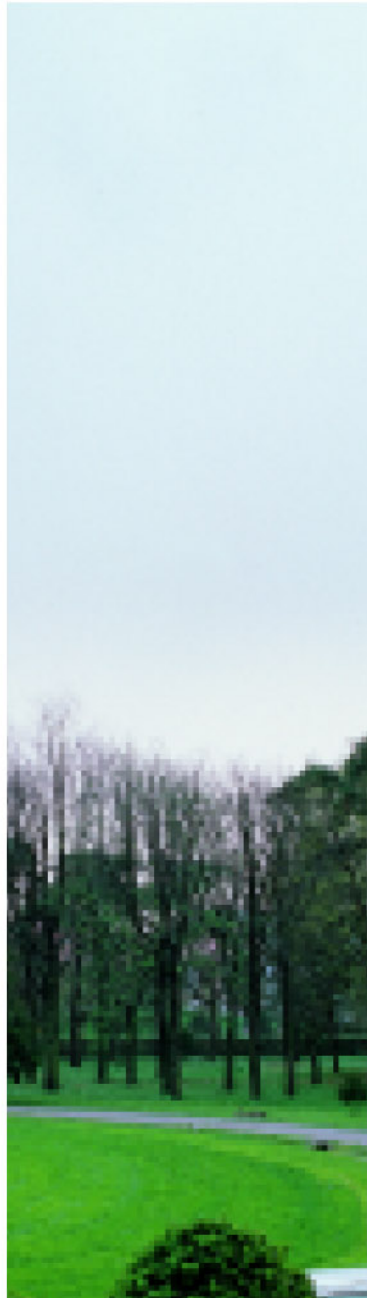
- LUMINAIRE BODY IN DIE-CAST ALUMINUM WITH SPECIAL, CORROSION RESISTANT, ELECTROSTATIC POLYESTER POWDER COATING IN BLACK OR WHITE
- DIFFUSER IN HEAVY MOLDED WHITE SANDED GLASS WITH STAINLESS STEEL FASTENERS
- FULLY GASKETED, WITH HARDWARE IN STAINLESS STEEL

### INCANDESCENT SOURCE

- 1X100W(E26/A19W) 

### COMPACT FLUORESCENT SOURCE

- 1X13W(GX23) 



unica  
HOME

www.unicahome.com  
1-888-89-UNICA