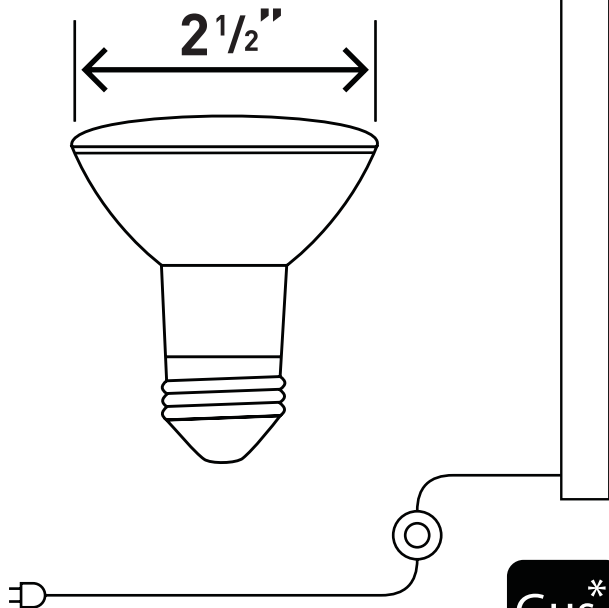


# Lightstick

Your new Lightstick is designed to use a **50 watt Par 20 Indoor Halogen Floodlight**, available at most hardware or electrical merchants.



[gusmodern.com](http://gusmodern.com)