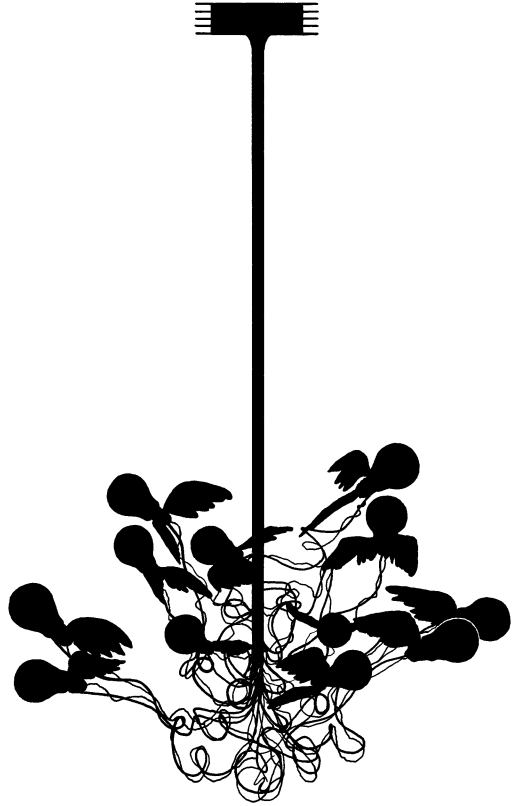




www.unicalighting.com
1-888-89-UNICA



birdie Instructions

WHO MAUREZ

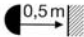
► Wechsel der Leuchtmittel

Achtung: Schalten Sie die Sicherung des Deckenauslasses aus und lassen Sie die Glühlampen vollständig abkühlen.

Ziehen Sie den Anschlussdraht (10) aus der Steckhülse (11) der zu ersetzenden Glühlampe, drehen Sie diese aus dem Fassungsring (9) und setzen Sie die neue Glühlampe ein, wie unter "Einsetzen der Leuchtmittel" beschrieben. ②
Im Lieferumfang sind zwei Ersatzleuchtmittel enthalten. Weitere Ersatzleuchtmittel sind nur über unsere Händler zu beziehen.

► Technische Daten

230/125 Volt. Sekundär 24 Volt, 180 Watt (12 x 15 Watt), Fassungen E27. Drei elektronische Transformatoren je 75 W.

 Mindestabstand zu brennbaren Flächen: 0,5 m

Eventuell notwendige Reparaturen müssen von einer Elektrofachkraft ausgeführt werden.

The lamp assembly and all electrical work must be carried out by a qualified electrician.

Important: The cotton gloves supplied must be worn during work on the chandelier, as the galvanized metal parts and the feathers are easily damaged. A second person should preferably be present to assist with the assembly.

Caution: Birdie is not suitable for use in damp areas or outdoors!

A trailing edge phase dimmer (suitable for low-voltage lamps with electronic transformers) may be fitted. Minimum output 250 watts.

► Assembly variants

Version A: Mounted directly on the ceiling. For ceiling heights from 230 cm.

Version B: With suspension cable (*available separately*) for higher ceilings.

Important: Switch off or remove the fuse for the ceiling outlet before beginning the assembly. Take care to ascertain the exact position of all electrical wiring in the ceiling, so as to avoid accidentally drilling into a cable.

► Assembly

Version A:

Open the transformer housing (1) by removing the nut (2) from the retaining screw (3) and pulling the screw out of the hole. Detach the plastic cover (4) from the transformer housing and position it so that the leads from the ceiling outlet can be fed through the large aperture (5) in the plate. Using the cover (4) as a template, mark and drill the three 6 mm-diameter holes, then insert the S6 plugs

and screw the cover firmly into place. Remove an 8 cm section of the outer covering from the mains cable and strip about 5 mm from the ends of the plus and minus leads. Attach the plus and minus leads to the contacts in the ceiling terminal (6). ①

Caution: Birdie must not be earthed!

For the next part of the operation one person should hold the chandelier at an angle to the plastic cover fixed to the ceiling. Plug the lamp terminal (7) firmly into the ceiling terminal (6). Slide the chandelier up onto the mounting rod (8) to the point where the retaining screw (3) can be reinserted in the hole. Replace and tighten the nut (2). ①

Version B:

See the instructions enclosed with the suspension cable (*available separately*).

► **Inserting the light bulbs**

Screw the low-voltage bulbs into the holder rings (9) and push the connecting wires (10) firmly into the contact sleeves (11) on the bulbs. Ensure that the wires are securely in position.

Caution: All twelve connecting wires must be inserted in the sleeves before the lamp is switched on, otherwise there is a danger of short-circuiting!

Fit the twelve wings with the brass clips (12) on the holder rings (10). Birdie can be modified to suit the user's wishes by carefully bending the silver arms and altering the position of the wings. ②

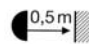
► **Changing the bulbs**

Caution: Switch off or remove the fuse for the power outlet and allow the bulbs to cool down completely.

Remove the connecting wire (10) from the contact sleeve (11) on the spent bulb, unscrew the bulb from the holder ring (9) and insert the replacement as described under "Inserting the light bulbs" above. ②
Two spare bulbs are supplied with the lamp. Further replacements must be ordered from our dealers.

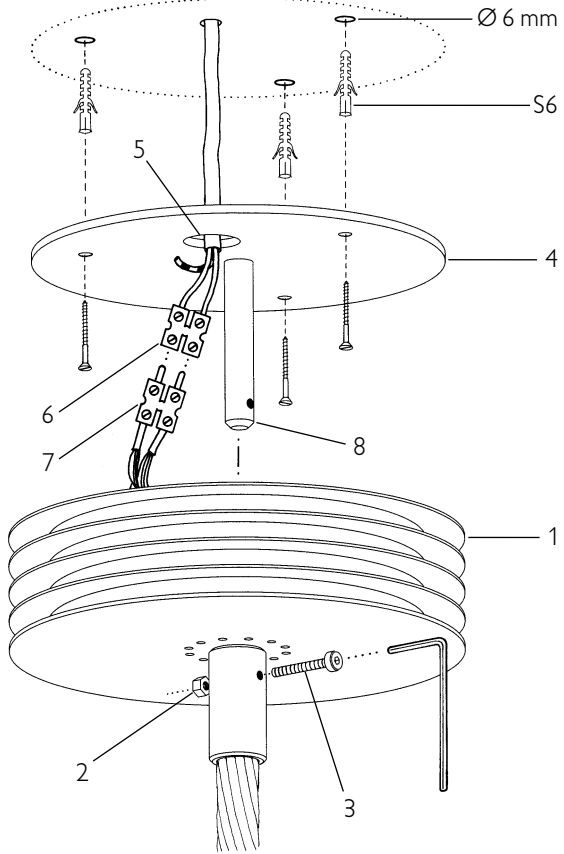
► **Technical specification**

230/125 volts. Secondary 24 volts, 180 watts (12x15 watts), E27 bases. Three electronic transformers, each 75 watts.

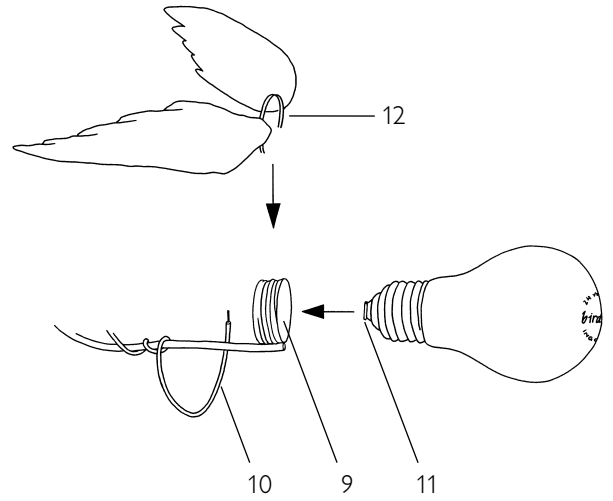
 Minimum distance from combustibile surfaces:
50 cm

Any repairs that may become necessary must be carried out by a professional electrician.

①



②



www.unicalighting.com
1-888-89-UNICA